

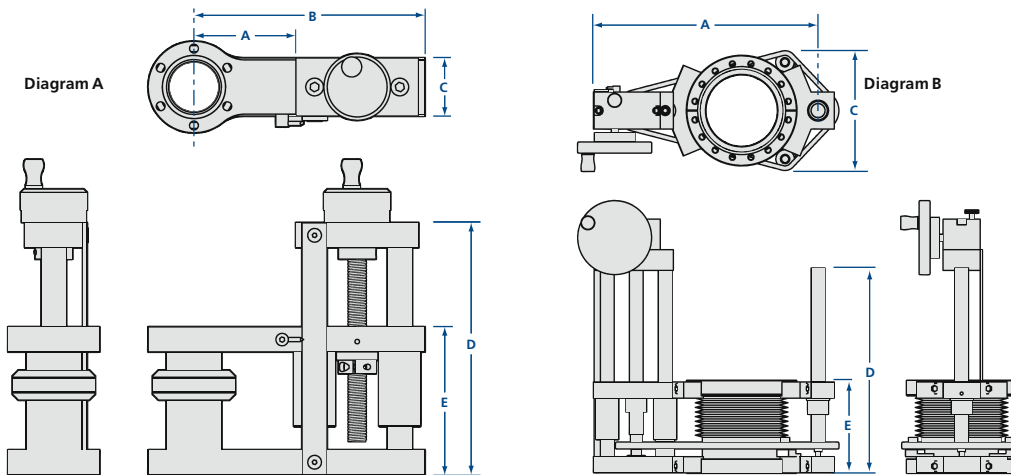
Z-Translators

Z translators feature a compact yet stable linear motion design, suitable for a variety of applications including use with our differentially pumped rotary seals. They may also be used with feedthrough utility hats and rotary motion feedthroughs.

MODEL NUMBER	DIAGRAM	TRAVELING FLANGE	BELLOWS ID	Z STROKE	BASE FLANGE	A	B	C	MIN.-MAX. D & E
MZ-275-104-2	A	2 ³ / ₄	1.04	2	2 ³ / ₄	3.060	6.94	1.750	Call
MZ-275-104-4	A	2 ³ / ₄	1.04	4	2 ³ / ₄	3.060	6.94	1.750	Call
MZ-275-104-6	A	2 ³ / ₄	1.04	6	2 ³ / ₄	3.060	6.94	1.750	Call
MZ-275-153-2	A	2 ³ / ₄	1.53	2	2 ³ / ₄	3.060	6.94	1.750	Call
MZ-275-153-4	A	2 ³ / ₄	1.53	4	2 ³ / ₄	3.060	6.94	1.750	Call
MZ-275-153-6	A	2 ³ / ₄	1.53	6	2 ³ / ₄	3.060	6.94	1.750	Call
MZ-450-188-2	A	2 ³ / ₄	1.88	2	4 ¹ / ₂	3.250	6.94	1.750	Call
MZ-450-188-4	A	2 ³ / ₄	1.88	4	4 ¹ / ₂	3.250	6.94	1.750	Call
MZ-450-188-6	A	2 ³ / ₄	1.88	6	4 ¹ / ₂	3.250	6.94	1.750	Call
MZ-450-250-2	A	4 ¹ / ₂	2.50	2	4 ¹ / ₂	3.250	6.94	1.750	Call
MZ-450-250-4	A	4 ¹ / ₂	2.50	4	4 ¹ / ₂	3.250	6.94	1.750	Call
MZ-450-250-6	A	4 ¹ / ₂	2.50	6	4 ¹ / ₂	3.250	6.94	1.750	Call
MZ-600-300-2	B	6	3.00	2	6	12.125	-	6.426	Call
MZ-600-300-4	B	6	3.00	4	6	12.125	-	6.426	Call
MZ-600-300-6	B	6	3.00	6	6	12.125	-	6.426	Call
MZ-600-400-2	B	6	4.00	2	6	12.125	-	6.426	Call
MZ-600-400-4	B	6	4.00	4	6	12.125	-	6.426	Call
MZ-600-400-6	B	6	4.00	6	6	12.125	-	6.426	Call

SPECIFICATIONS

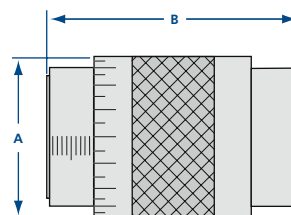
- Construction**
 Bellows: 1.04 to 4 inch ID edge welded stainless steel
 Base flange: 2³/₄ to 6 inch CF, clearance holes
 Travelling flange: 2³/₄ to 6 inch CF, tapped holes
 Guide rods: Dual 3/4 inch OD hardened stainless steel
 Stage: Aluminum
- Motion:** 2 to 6 inches Z travel, Acme drive with position indicator scale
- Operating orientation:** Any
- Temperature**
 Maximum bakeout: 150°C, fully assembled
 Operating: 20°C (ambient)
- Vacuum range:** ≥ 10⁻¹⁰Torr - UHV
- Guarantee:** Five years



Linear Motion Thimbles

The compact design and reliable operation of these linear motion thimbles allows precision linear probe positioning to distances up to two inches. Features include a clear bore design with a stainless steel welded bellows. Anodized aluminum collar is threaded to perform linear movement.

MODEL NUMBER	NOMINAL OD A	MINIMUM - MAXIMUM B	ID
LMT-133	1 ³ / ₄	1.800 - 2.800	0.54
LMT-275	3 ¹ / ₄	3.060 - 5.060	1.43



SPECIFICATIONS

- Construction**
 Bellows: 0.54 or 1.43 inch ID stainless steel
 Flanges: 1¹/₃ or 2³/₄ inch CF, tapped holes
 Collar: Anodized aluminum
- Motion:** Up to 2 inches linear movement, 360° graduations laser engraved on the collar
- Temperature range:** -20°C to 350°C
- Vacuum range:** ≥ 10⁻¹⁰Torr - UHV