

Isolation Valves

Replacement Parts & Rebuild Kits



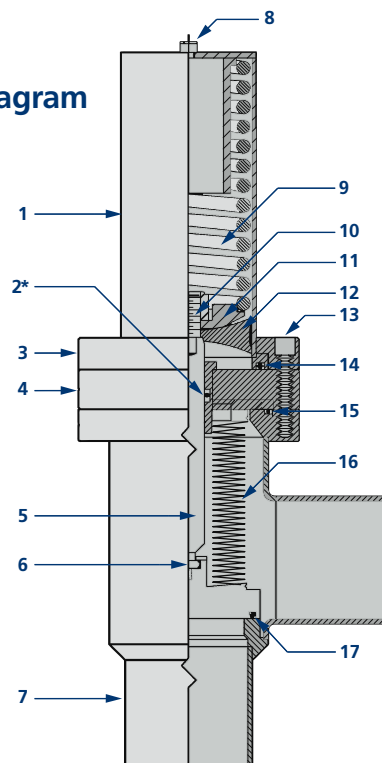
Complete Valve Rebuild Kits

Contains all items except valve body (#7), refer to kit contents diagram at right.

MODEL NUMBER	FOR VALVE MODEL NUMBERS	PRICE
CSV-075-99	CSV, CILV and CAIV, -038 to -100	CALL
CSV-150-99	CSV, CILV and CAIV-150	CALL
CSV-200-99	CSV, CILV and CAIV-200	CALL
CSV-250-99	CSV, CILV and CAIV-250	CALL
CSV-300-99	CSV, CILV and CAIV-300	CALL
CSVP-075-99	CSVP, CILVP and CAIVP, -038 to -100	CALL
CSVP-150-99	CSVP, CILVP and CAIVP-150	CALL
CSVP-200-99	CSVP, CILVP and CAIVP-200	CALL
CSVP-250-99	CSVP, CILVP and CAIVP-250	CALL
CSVP-300-99	CSVP, CILVP and CAIVP-300	CALL
CSVP-400-99	CSVP, CILVP and CAIVP-400	CALL
ESV-075-99	ESV, ILV, AIV, STV, -038 to -100	CALL
ESV-150-99	ESV, ILV, AIV, STV, -150	CALL
ESV-200-99	ESV, ILV and AIV-200	CALL
ESV-250-99	ESV, ILV and AIV-250	CALL
ESV-300-99	ESV, ILV and AIV-300	CALL
ESVP-075-99	ESVP, ILVP, AIVP, STVP, -038 to -100	CALL
ESVP-150-99	ESVP, ILVP, AIVP, STVP, -150	CALL
ESVP-200-99	ESVP, ILVP and AIVP-200	CALL
ESVP-250-99	ESVP, ILVP and AIVP-250	CALL
ESVP-300-99	ESVP, ILVP and AIVP-300	CALL
ESVP-400-99	ESVP, ILVP and AIVP-400	CALL
STV-112-99	STV-112	CALL
STVP-112-99	STVP-112	CALL
STV-150-99	STV-150	CALL
STVP-150-99	STVP-150	CALL

Kit Contents Diagram

1. Air cylinder
 2. Stem O-ring*
 3. Retaining plate
 4. Center plate
 5. Stem shaft
 6. Set screw
 7. Body
 8. Air filter
 9. Air cylinder spring
 10. Jam nut
 11. Spring retainer
 12. Piston cup
 13. Bonnet screws
 14. Air cylinder O-ring
 15. Body flange O-ring or gasket
 16. Bellows assembly
 17. Poppet O-ring
- * 2 inch ID valves are assembled with two stem O-rings.



O-Ring or Gasket Kits

MODEL NUMBER	KIT CONTENTS (Refer to diagram)	FOR VALVE MODEL NUMBERS	PRICE
ESV-075-95	2, 14, 15, 17	ESV, AIV, ILV, ESV-T, STV, -038 to -100	CALL
ESV-150-95	2, 14, 15, 17	ESV, AIV, ILV, ESV-T, -150	CALL
ESV-200-95	2, 14, 15, 17	ESV, AIV, ILV, ESV-T, -200	CALL
ESV-250-95	2, 14, 15, 17	ESV, AIV, ILV, ESV-T, -250	CALL
ESV-300-95	2, 14, 15, 17	ESV, AIV, ILV, ESV-T, -300	CALL
STV-112-95	2, 14, 15, 17	STV-112	CALL
STV-150-95	2, 14, 15, 17	STV-150	CALL
ESVP-075-95	2, 14, 15, 17	ESVP, AIVP, ILVP, ESVP-T, STVP, -038 to -100	CALL
ESVP-150-95	2, 14, 15, 17	ESVP, AIVP, ILVP, ESVP-T, -150	CALL
ESVP-200-95	2, 14, 15, 17	ESVP, AIVP, ILVP, ESVP-T, -200	CALL
ESVP-250-95	2, 14, 15, 17	ESVP, AIVP, ILVP, ESVP-T, -250	CALL
ESVP-300-95	2, 14, 15, 17	ESVP, AIVP, ILVP, ESVP-T, -300	CALL
ESVP-400-95	2, 14, 15, 17	ESVP, AIVP, ILVP, ESVP-T, -400	CALL
STVP-112-95	2, 14, 15, 17	STVP-112	CALL
STVP-150-95	2, 14, 15, 17	STVP-150	CALL
CSV-075-95	2, 14, 15, 17	CSV, CAIV, CILV, CSTV, -038 to -100	CALL
CSV-150-95	2, 14, 15, 17	CSV, CAIV, CILV, -150	CALL
CSV-200-95	2, 14, 15, 17	CSV, CAIV, CILV, -200	CALL
CSV-250-95	2, 14, 15, 17	CSV, CAIV, CILV, -250	CALL
CSV-300-95	2, 14, 15, 17	CSV, CAIV, CILV, -300	CALL
CSTV-150-95	2, 14, 15, 17	CSTV-150	CALL
CSVP-075-95	2, 14, 15, 17	CSVP, CAIVP, CILVP, CSTVP, -038 to -100	CALL
CSVP-150-95	2, 14, 15, 17	CSVP, CAIVP, CILVP, -150	CALL
CSVP-200-95	2, 14, 15, 17	CSVP, CAIVP, CILVP, -200	CALL
CSVP-250-95	2, 14, 15, 17	CSVP, CAIVP, CILVP, -250	CALL
CSVP-300-95	2, 14, 15, 17	CSVP, CAIVP, CILVP, -300	CALL
CSVP-400-95	2, 14, 15, 17	CSVP, CAIVP, CILVP, -400	CALL
CSTVP-150-95	2, 14, 15, 17	CSTVP-150	CALL

Bellows Assembly Kits

MODEL NUMBER	KIT CONTENTS (Refer to diagram)	FOR VALVE MODEL NUMBERS	PRICE
CSV-075-16K	6, 16, 17	CSV, CILV, CAIV, CSTV, manual or pneumatic, -038 to -100	CALL
CSV-150-16K	6, 16, 17	CSV, CILV, CAIV, CSTV, manual or pneumatic, -150	CALL
CSV-200-16K	6, 16, 17	CSV, CILV, CAIV, manual or pneumatic, -200	CALL
CSV-250-16K	6, 16, 17	CSV, CILV, CAIV, manual or pneumatic, -250	CALL
CSV-300-16K	6, 16, 17	CSV, CILV, CAIV, manual or pneumatic, -300	CALL
CSVP-400-16K	6, 16, 17	CSVP and CILVP-400	CALL
ESV-075-16K	6, 16, 17	ESV, ILV and AIV, manual or pneumatic, -038 to -100	CALL
ESV-150-16K	6, 16, 17	ESV, ILV and AIV-150, manual or pneumatic	CALL
ESV-200-16K	6, 16, 17	ESV, ILV and AIV-200, manual	CALL
ESVP-200-16K	16, 17	ESVP, ILVP and AIVP-200, pneumatic	CALL
ESV-250-16K	6, 16, 17	ESV, ILV and AIV-250, manual or pneumatic	CALL
ESV-300-16K	6, 16, 17	ESV, ILV and AIV-300, manual or pneumatic	CALL
ESVP-400-16K	16, 17	ESV, ILV and AIV-400, manual or pneumatic	CALL

