

# Isolation Valves

## Ball Valves



Ball valves are a low cost, manually operated, straight through isolation device. Their simple, robust design provides high reliability in "dirty" applications. They are commonly used on MOCVD and CVD equipment downstream of the chamber or vacuum pump to isolate traps or abatement tools. A forged 316L stainless steel body and Teflon seat make these valves ideal for corrosive environments. Other applications include vacuum and other facilities requirements. A quarter-turn of the handle quickly switches the valve from open to close. They are available with NW-16 through NW-50 flanges as standards. Heater jackets and controllers are also available. Call for other flange configurations.

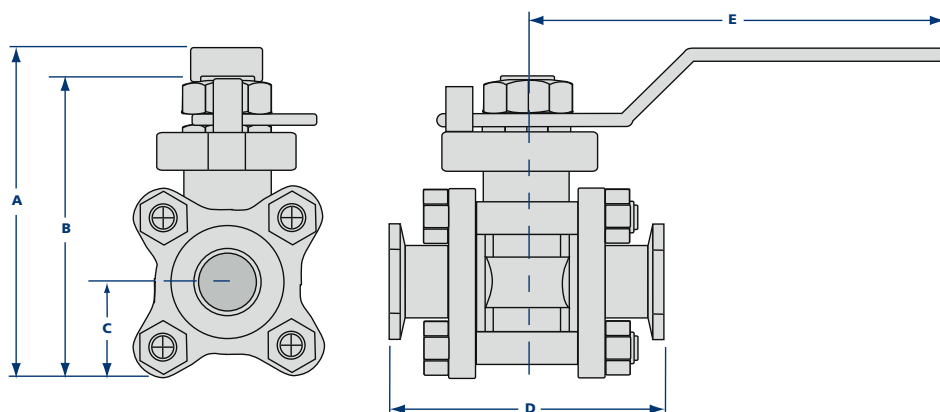
### SPECIFICATIONS

- Body:** 316L forged stainless steel
- Stem seal:** Viton
- Ball seal:** Teflon
- Helium leak testing:**  $\leq 9 \times 10^{-9}$  std.cc/sec.
- Operating pressure:** 45 psi to  $1 \times 10^{-9}$  Torr
- Maximum bakeout temperature:**  $\leq 150^\circ\text{C}$
- Options:** Heater jackets and insulators

MODEL NUMBER	PORT ID	BALL ID	FLANGE TYPE	A	B	C	D	E	PRICE
BV-075-NWB	3/4	.512	NW-16	2.88	2.53	0.95	3.62	4.05	CALL
BV-100-NWB	1	.826	NW-25	3.69	3.15	1.17	4.21	5.18	CALL
BV-150-NWB	1 1/2	1.30	NW-40	4.85	4.21	1.61	5.12	8.27	CALL
BV-200-NWB	2	1.65	NW-50	5.43	4.79	1.87	5.94	8.27	CALL



Heater jackets and controllers are available. Call for pricing and information.



### Seal & Ball Replacement Kits

MODEL NUMBER	PRICE
BV-075-99	CALL
BV-100-99	CALL
BV-150-99	CALL
BV-200-99	CALL

### Seal Replacement Kits

MODEL NUMBER	PRICE
BV-075-95H	CALL
BV-100-95H	CALL
BV-150-95H	CALL
BV-200-95H	CALL